



Description

Staefa TALON™ Room Temperature Sensors offer a wide range of features and functions to deliver exceptional occupant comfort – even in demanding environments. These room sensors permit communication and interactive links to a LonTalk® network. The product group includes fully interactive versions as well as sensing-only models.

All sensors have a RJ-11 port located at the bottom of the sensor for connection to the LonTalk network. Their compact design results in an attractive, inconspicuous installation. A styled ventilation ring allows substantial airflow through the cover for fast measurement response. Versions are specifically designed for both the Raptor™ and Predator™ controller lines.

Features

- **LonTalk Connection** – Enables you to monitor and command devices on the entire LonTalk network. The remote service pin connection also allows for easy startup and controller identification.
- **Digital Temperature Display (optional)** – Provides an easy-to-read two-line, alphanumeric LCD that displays room temperature value in degrees Fahrenheit or degrees Celsius.
- **Setpoint Adjustment (optional)** – Incorporates dual-temperature scale indication. An access door covers the setpoint slide.
- **Bypass button (optional)**: The flush-mounted bypass button allows an occupant to override an unoccupied mode by temporarily extending the occupied control schedule for a period of time as pre-programmed by a system operator.

Specifications

Dimensions	3-11/32" H × 2-1/2" W × 1-1/2" D (85 mm × 63 mm × 38 mm)
Temperature Monitoring Range	55° to 95°F (13° to 35°C)
Raptor - Calibration Point	32°F (0°C)
Resistance Value	1000 Ohm (RTD)
Predator – Calibration Point	77°F (25°C)
Resistance Value	10,000 Ohm (Thermistor)
Setpoint Resolution	±1°F (±0.55°C)
Calibration Adjustments	None Required
Standard Color	White
Output Signals	
Room Temperature	Changing Resistance
Setpoint	Changing Resistance
Installation	100 ft. Maximum Cable Length 6C (3pr) No. 24 AWG, NEC Class 2

Wiring

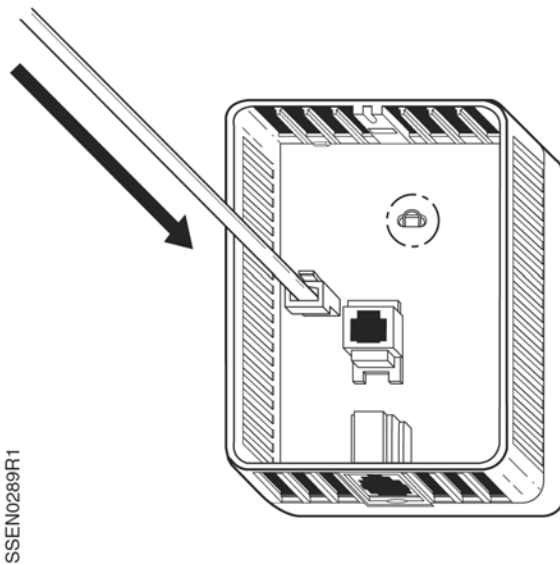


Figure 2: Connecting TALON Room Temperature Sensor to a Predator Controller

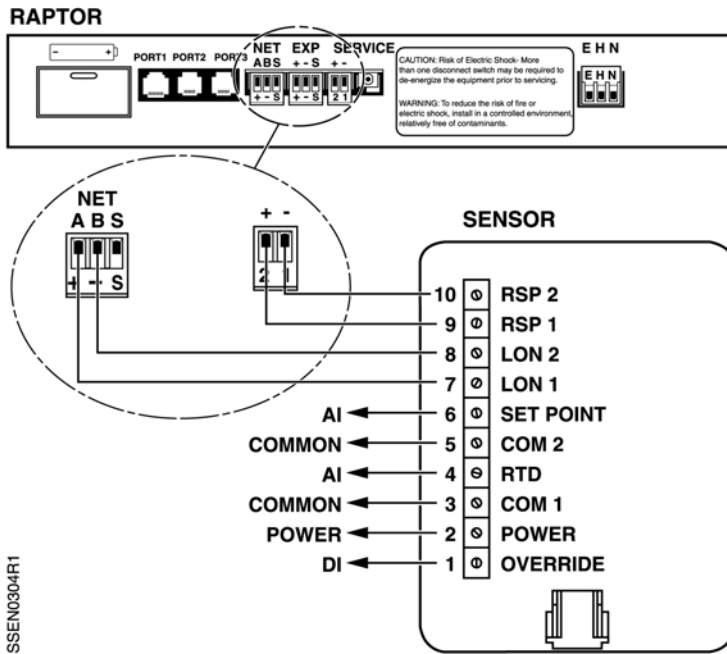


Figure 3: Connecting TALON Room Temperature Sensor to a Raptor Controller

Ordering Information

Predator Room Sensors

Description	Product Number
Sensing Only	587-180
Sensing with override	587-181
Sensing with setpoint	587-182
Sensing with temperature display	587-183 ¹
Sensing with override and setpoint	587-184
Sensing with override and temperature display	587-185 ¹
Sensing with setpoint and temperature display	587-186 ¹
Sensing with override, setpoint, and temperature display	587-187 ¹

Raptor Room Sensors

Description	Product Number
Sensing Only	587-680
Sensing with override	587-681
Sensing with setpoint	587-682
Sensing with temperature display	587-683 ¹
Sensing with override and setpoint	587-684

Sensing with override and temperature display	587-685 ¹
Sensing with setpoint and temperature display	587-686 ¹
Sensing with override, setpoint, and temperature display	587-687 ¹

1. Sensor will display in degrees Fahrenheit or degrees Celsius.

Accessories

Description	Product Number
Sensor Backplate	544-781B
Double Adapter Base Kit	544-783B
Extender Ring Kit	544-785B
RJ-11 Cable (plenum), Room Temp Sensor to Predator, 25 ft.	588-100A
RJ-11 Cable (plenum), Room Temp Sensor to Predator, 50 ft.	588-100B
RJ-11 Cable (plenum), Room Temp Sensor to Predator, 100 ft.	588-100C
Non-Conduit Rough-In Kit	544-784

Documentation

Description	Product Number
TALON Information Library CD	587-980

Notice: Information in this document is based on specifications believed correct at the time of publication. The right is reserved to make changes as design improvements are introduced.

Credits: *Staefa Control System, Raptor, Predator, and TALON* are trademarks of Siemens Building Technologies, Inc. Other products and company names herein may be the trademarks of their respective owners.



Siemens Building Technologies, Inc.
 HVAC Products
 1000 Deerfield Parkway
 Buffalo Grove, Illinois 60089
 Phone: 847-215-1000
www.staefa.com



Copyright 2001 by Siemens Building Technologies, Inc.